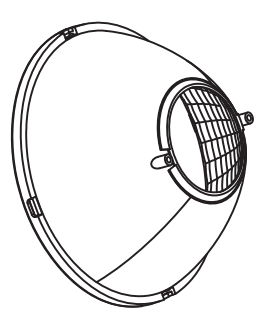
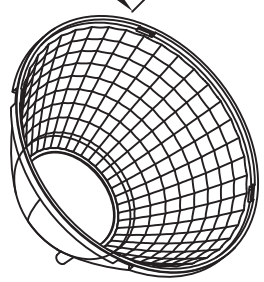
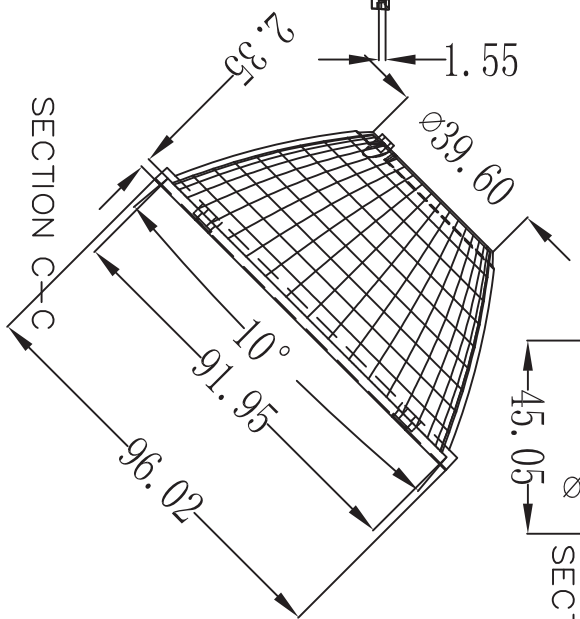
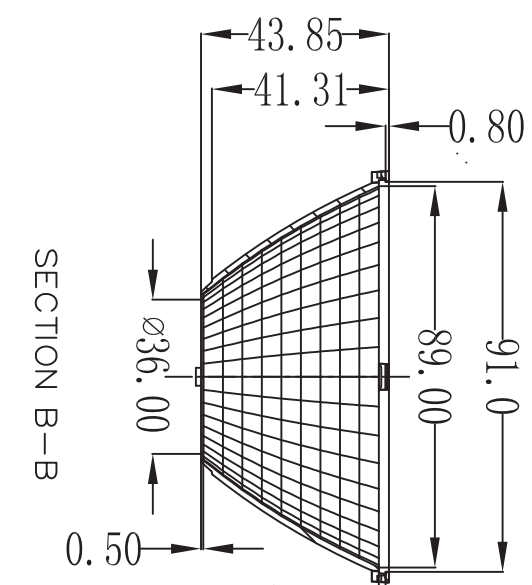
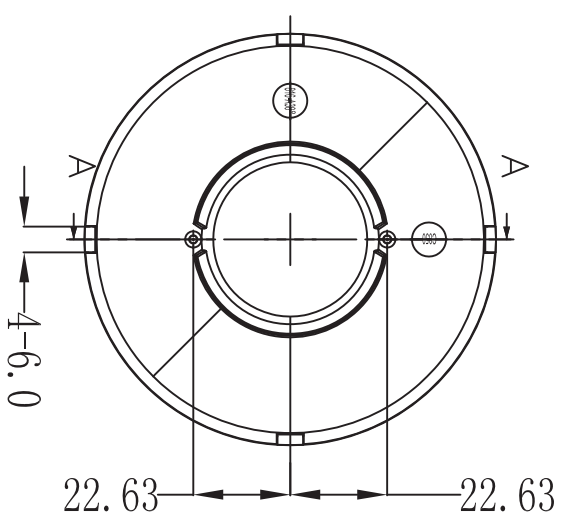
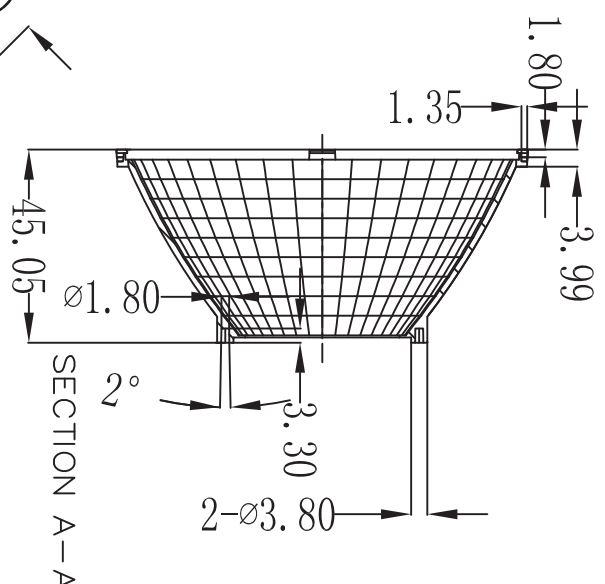
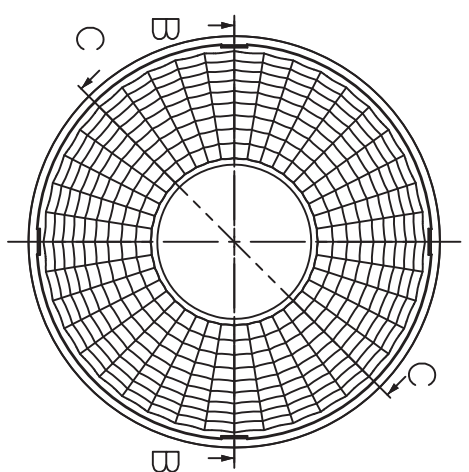



1 | 2 | 3 | 4 | 5 | 6 | 7 | 8 | 9 | 10



REV	DATE	MODIFICATION DESCRIPTION	CHANGE	APPROVE	APPROVE	COLOR	SCALE	 BICOM OPTICS 30°
						MATERIAL	UNIT	
						DESIGN	SIZE	
						CHECK	SHEET	
						REVIEW	PROJ.	DRAWING NO
								BK-LED-816A

H | G | F | E | D | C | B | A