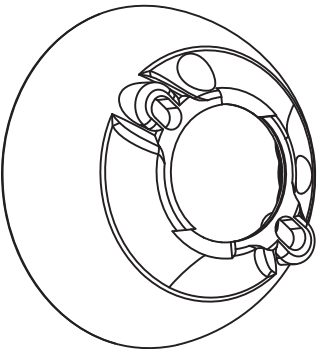
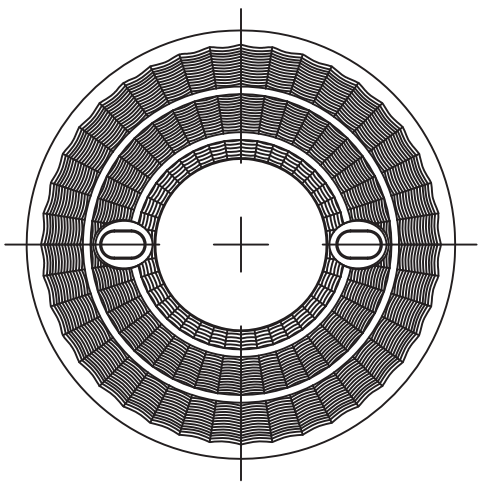
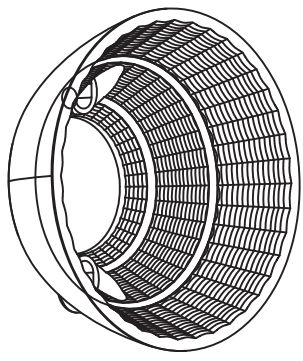
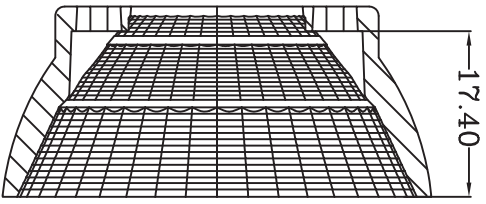
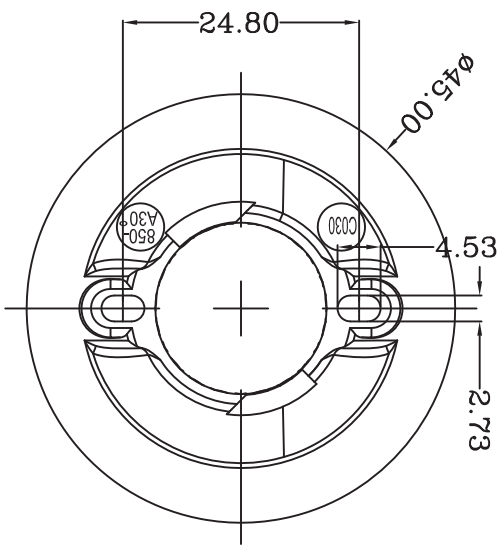
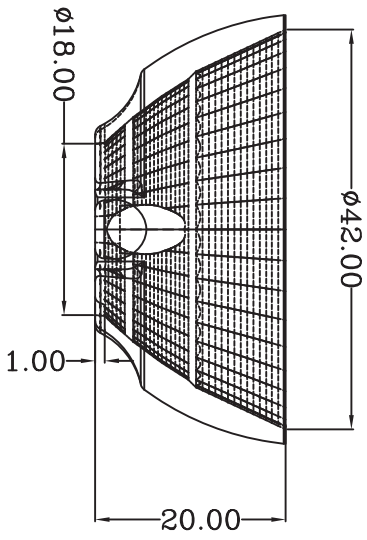


1 | 2 | 3 | 4 | 5 | 6 | 7 | 8 | 9 | 10



REV	DATE	MODIFICATION DESCRIPTION	CHANGE	APPROVE	APPROVE	COLOR	SCALE	UNIT	PROJ.	DRAWING NO.
A/0	2011.12.27	NEW	—	—	—	PC-2250Y (2)	mm	A4	☉	BK-LED-850A
						DESIGN 王红女 2011.12.27				
						CHECK				
						REVIEW				
						APPROVE				



BICOM OPTICS

30°