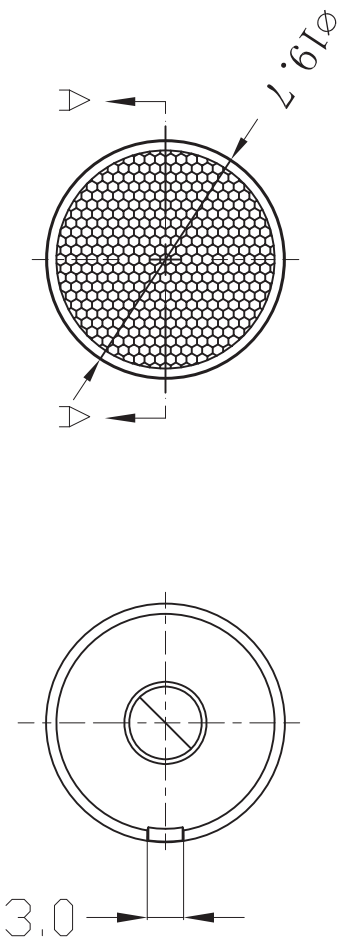


1 | 2 | 3 | 4 | 5 | 6 | 7 | 8 | 9 | 10



SECTION A-A

Technical Note:  
 1. Products have no edges, shrinkage, watermarks and other defects  
 2. Mirror polished standard:SP1-A1  
 3. The tolerance of the unremarked sized is  $\pm 0.10$

|               |     |          |     |   |                            |                   |         |             |       |    |                    |                   |                       |                   |
|---------------|-----|----------|-----|---|----------------------------|-------------------|---------|-------------|-------|----|--------------------|-------------------|-----------------------|-------------------|
| 變更<br>更記<br>事 | A/0 | 09.12.01 | NEW | 變<br>更<br>說<br>明<br>MODIFICATION<br>DESCRIPTION | 變<br>更<br>說<br>明<br>CHANGE | 核<br>准<br>APPROVE | PART    | 顏色<br>COLOR | SCALE | A4 | 料<br>號<br>PART NO. | 品<br>名<br>TITILE: | 圖<br>號<br>DRAWING NO. | 核<br>准<br>APPROVE |
|               |     |          |     |   |                            |                   | ~ 10    | ~ 10        |       |    |                    |                   |                       |                   |
|               |     |          |     |   |                            |                   | 10 ~ 20 | PMMA        |       |    |                    |                   |                       |                   |
|               |     |          |     |   |                            |                   | 20 ~ 30 |             |       |    |                    |                   |                       |                   |
|               |     |          |     |   |                            |                   | 30 ~    |             |       |    |                    |                   |                       |                   |
|               |     |          |     |   |                            |                   | Angle   |             |       |    |                    |                   |                       |                   |
|               |     |          |     |   |                            |                   | DIM     |             |       |    |                    |                   |                       |                   |
|               |     |          |     |   |                            |                   | TOL     |             |       |    |                    |                   |                       |                   |
|               |     |          |     |   |                            |                   | ± 1°    |             |       |    |                    |                   |                       |                   |
|               |     |          |     |   |                            |                   | ± 0.05  |             |       |    |                    |                   |                       |                   |
|               |     |          |     |   |                            |                   | ± 0.10  |             |       |    |                    |                   |                       |                   |
|               |     |          |     |   |                            |                   | ± 0.15  |             |       |    |                    |                   |                       |                   |
|               |     |          |     |   |                            |                   | ± 0.20  |             |       |    |                    |                   |                       |                   |