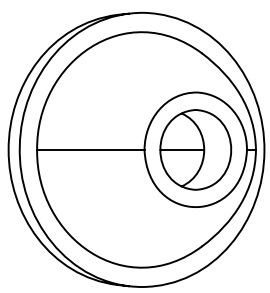
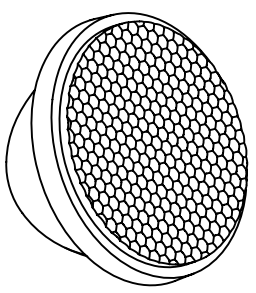
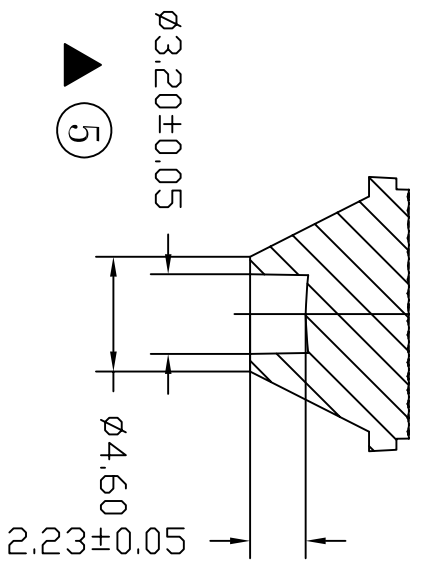
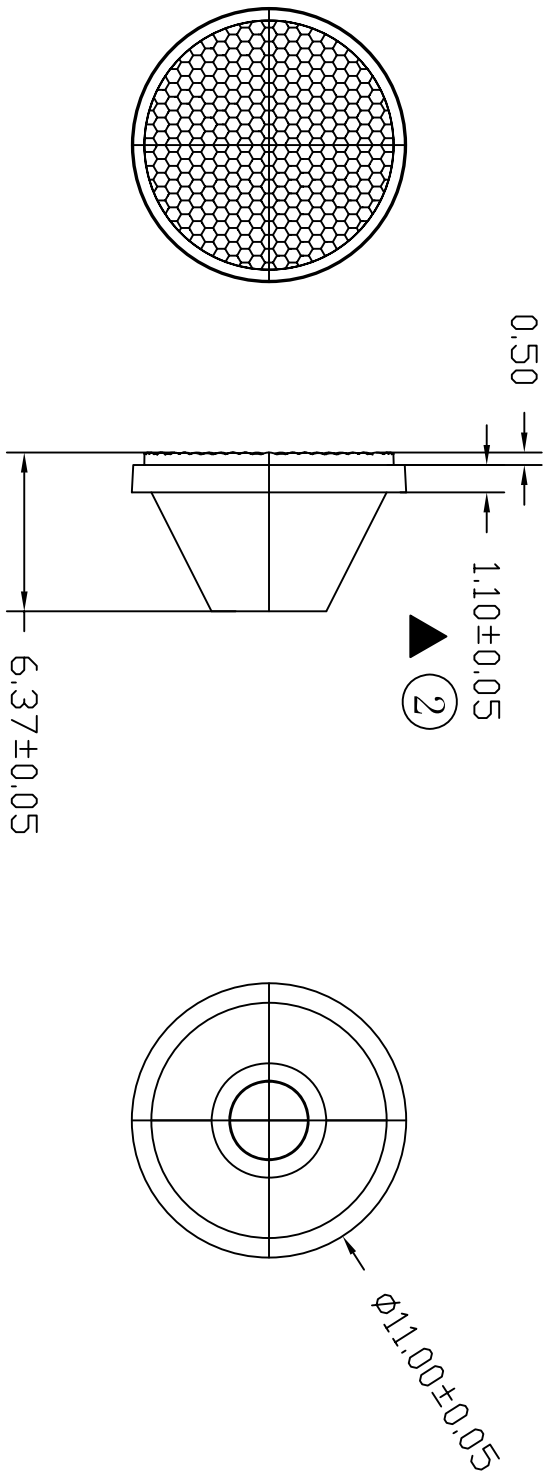


1 | 2 | 3 | 4 | 5 | 6 | 7 | 8 | 9 | 10



Technical Note:  
 1. Triangle is an important test point for the product size  
 2. Products have no edges, shrinkage, watermarks and other defects  
 3. Mirror polished standard; SPI-A1  
 4. The tolerance of the unremarked sized is 0.10

變更記事		變更說明		變更		核對		核對		核對		核對	
版次	日期	變更說明	變更	核對	核對	核對	核對	核對	核對	核對	核對	核對	核對
A/0	2010.01.09	NEW	CHANGE	APPROVE	APPROVE	APPROVE	APPROVE	APPROVE	APPROVE	APPROVE	APPROVE	APPROVE	APPROVE
PART		顏色		SCALE		UNIT		料號		PART NO.		品名	
~ 5		±0.03		mm		mm		SHENZHEN BAIKANG OPTICAL CO.,LTD		60°Product		BK-LED-097-60	
5 ~ 10		±0.05		MATERIAL		PMMA		DESIGN		xiaoshuzhen		2010.01.09	
10 ~ 20		±0.10		DESIGN		2010.01.09		SIZE		A4		SHEET	
20 ~ 30		±0.15		CHECK		PROU.		PROU.		圖號		DRAWING NO.	
30 ~		±0.20		CHECK		圖號		DRAWING NO.		DRAWING NO.		DRAWING NO.	
Angle		± 1'		APPROVE		APPROVE		APPROVE		APPROVE		APPROVE	
DIM		TOL		APPROVE		APPROVE		APPROVE		APPROVE		APPROVE	