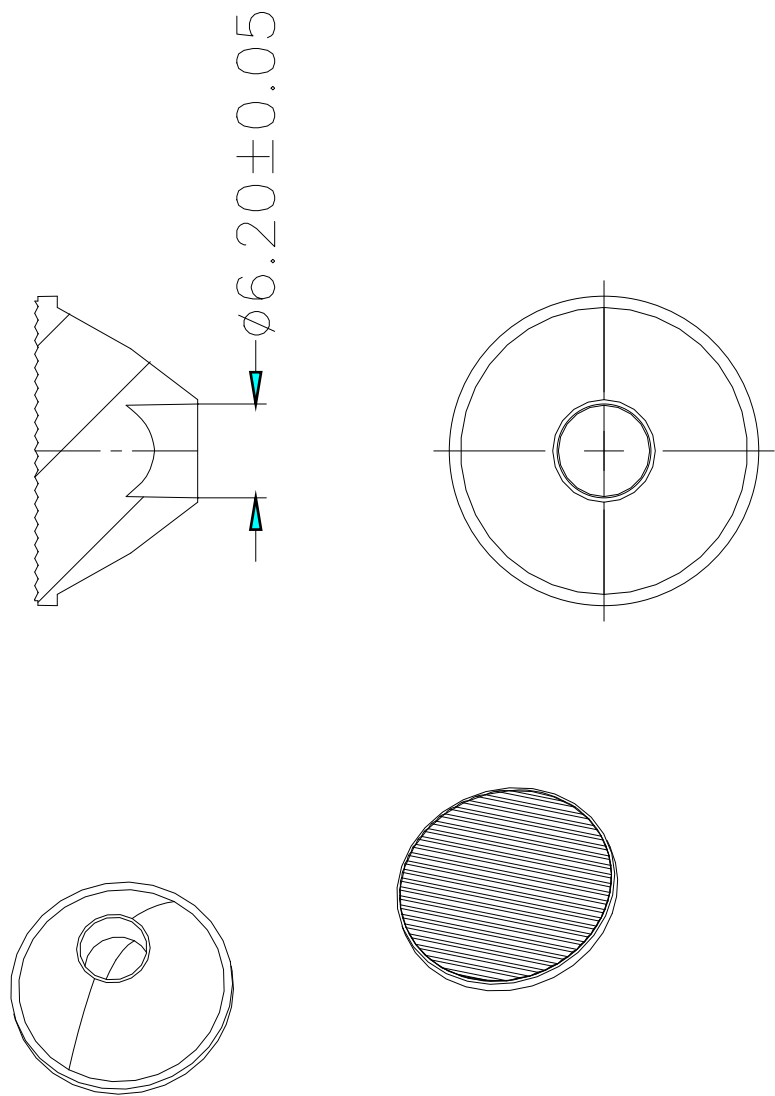
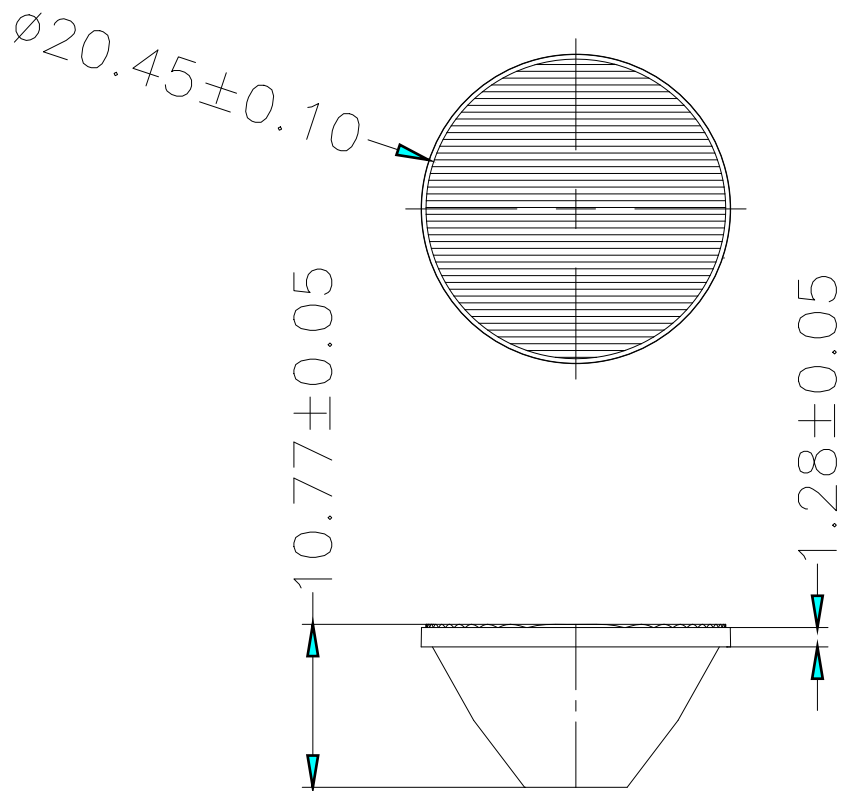


1 | 2 | 3 | 4 | 5 | 6 | 7 | 8 | 9 | 10

A
B
C
D
E
F
G

A
B
C
D
E
F
G



Technical Note:
1. Products have no edges, shrinkage, watermarks and other defects
2. Mirror polished standard; SPI-A1

變更記事

A/O	09. 03. 08	NEW	變更說明	變更	核准	tolerance	顏色	SCALE	UNIT	mm	SIZE	A4	PART NO.	TITLE:	DRAWING NO.	BK-LED-155	
						~ 10	±0.05										COLOR
						10 ~ 20	±0.10										材質
						20 ~ 50	±0.15										PMMA
						50 ~	±0.20										設計
DESIGN	xiaoshuzhen	2010. 03. 08	DESIGN	2010. 03. 08	SIZE	A4	PART NO.	(10° *50°)									
REV	DATE	MODIFICATION DESCRIPTION	CHANGE	APPROVE	APPROVE	Angle	± 1'	SHEET	TITLE:								
						DIM	TOL	PROJ.	DRAWING NO.								



深圳百康光电有限公司
SHENZHEN BAIKANG OPTICAL CO.;LTD