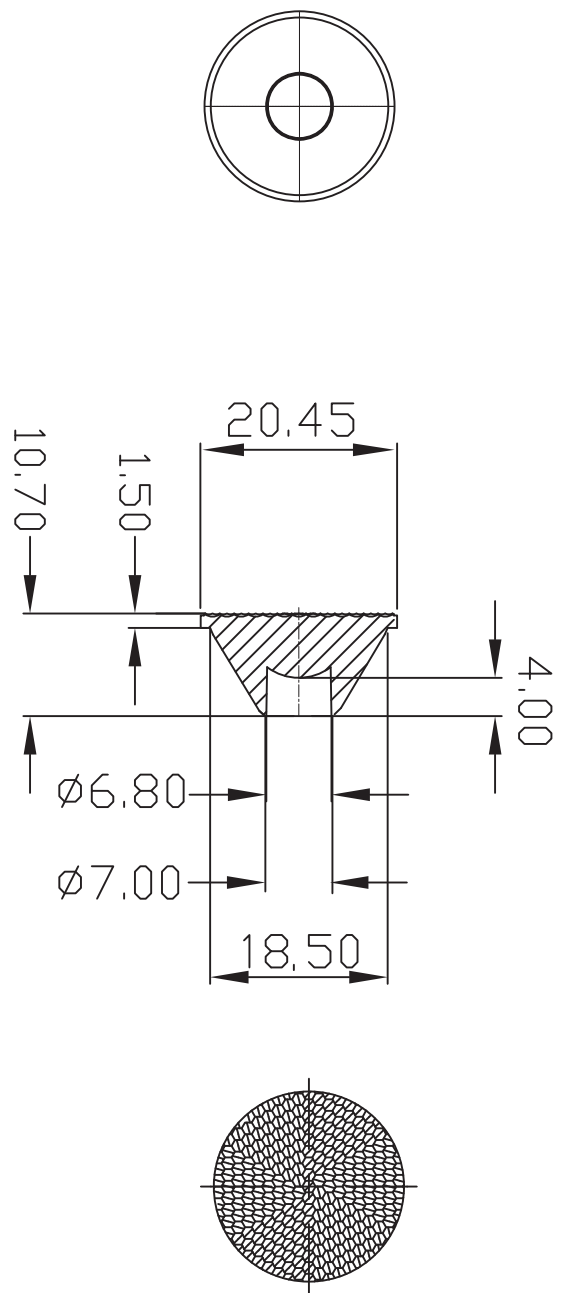


1 | 2 | 3 | 4 | 5 | 6 | 7 | 8 | 9 | 10



Technical Note:  
 1. Products have no edges, shrinkage, watermarks and other defects  
 2. Mirror polished standard:SPI-A1  
 3. The tolerance of the unremarked sized is  $\pm 0.10$

PART	DIM	TOL	APPROVE	CHANGE	APPROVE	MODIFICATION DESCRIPTION	DATE	REV	變更說明	變更日期	變更次數	變更記事	顏色	材質	設計	審核	SCALE	UNIT	料號	品名	圖號	DRIVING NO.	
													COLOR	MATERIAL	DESIGN	CHECK	PROU.	SIZE	SHEET	PART NO.	TITLE:	DRAWING NO.	BK-LED-1R19SB
~ 5	$\pm 0.03$																						
5 ~ 10	$\pm 0.05$																						
10 ~ 20	$\pm 0.10$																						
20 ~ 30	$\pm 0.15$																						
30 ~	$\pm 0.20$																						
Angle																							


**深圳百康光电有限公司**  
 SHENZHEN BAIKANG OPTICAL CO.,LTD

料號 PART NO.  
 品名 TITLE:  
 圖號 DRAWING NO.