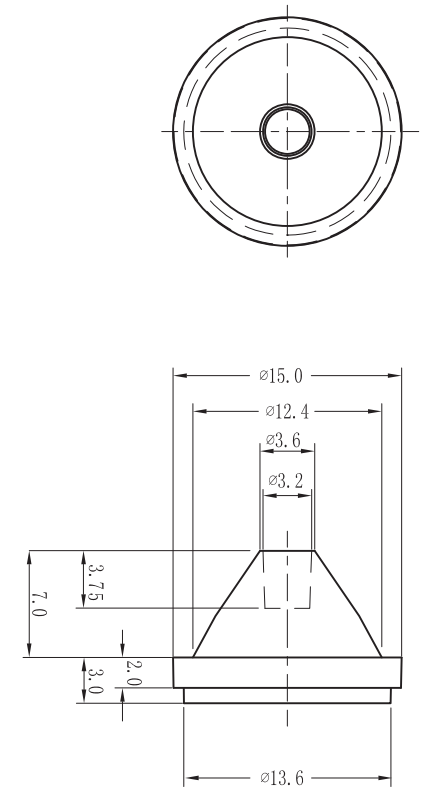


1 | 2 | 3 | 4 | 5 | 6 | 7 | 8 | 9 | 10



Technical Note:  
 1. Products have no edges, shrinkage, watermarks and other defects  
 2. Mirror polished standard:SPI-A1  
 3. The tolerance of the unremarked sized is  $\pm 0.10$

變更說明 MODIFICATION DESCRIPTION		變更日期 CHANGE DATE		變更次數 REV		變更說明 MODIFICATION DESCRIPTION		變更日期 CHANGE DATE		變更次數 REV	
new		2010/07/27		A/0		new		2010/07/27		A/0	
變更說明 MODIFICATION DESCRIPTION		變更日期 CHANGE DATE		變更次數 REV		變更說明 MODIFICATION DESCRIPTION		變更日期 CHANGE DATE		變更次數 REV	
new		2010/07/27		A/0		new		2010/07/27		A/0	

TOLERANCE		顏色 COLOR		SCALE	
~ 10	$\pm 0.05$	pc (1250v)		UNIT	mm
10 ~ 20	$\pm 0.10$	MATERIAL		SIZE	A4
20 ~ 50	$\pm 0.15$	DESIGN		SHEET	
50 ~ 100	$\pm 0.20$	CHECK		PROU.	
Angle	$\pm 1^\circ$	REVIEW		料號 PART NO.	
DIM	TOL	APPROVE		品名 TITLE:	
				圖號 DRAWING NO	
				BK-LED-225	

 深圳百康光电有限公司  
 SHENZHEN BAIKANG OPTICAL CO.,LTD