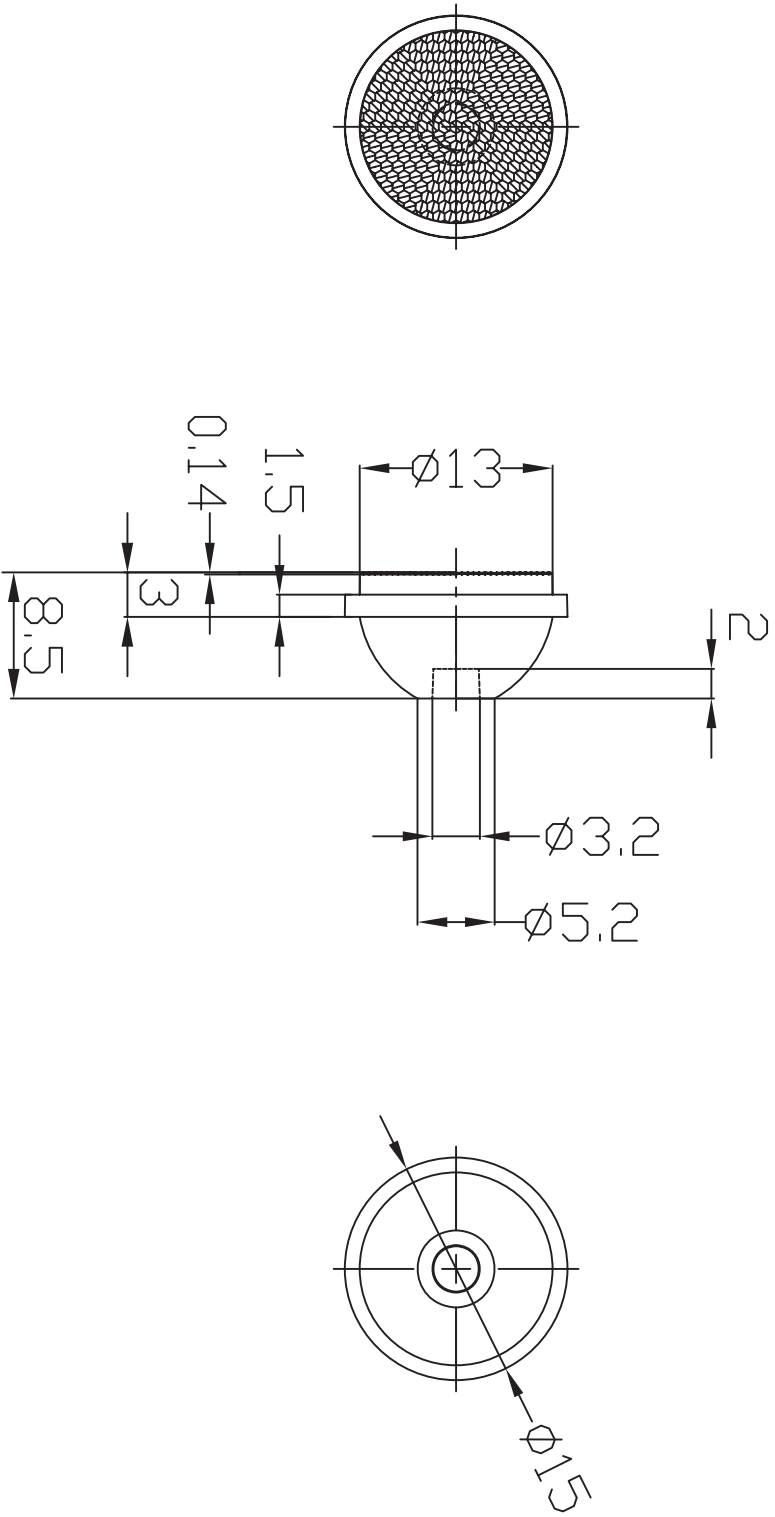


1 | 2 | 3 | 4 | 5 | 6 | 7 | 8 | 9 | 10



Technical Note:
 1. Products have no edges, shrinkage, watermarks and other defects
 2. Mirror polished standard:SPI-A1
 3. The tolerance of the unremarked sized is ± 0.10

變更說明		變更日期	變更說明	變更	核准	tolerance		顏色	SCALE	料號 PART NO.	品名 TITLE:
REV	DATE	MODIFICATION DESCRIPTION	CHANGE	APPROVE	24~30	30~40	COLOR	UNIT			
A/1	2010.05.06	更改拋物面及蜂窩	—	—	10~14	14~18	DESIGN	mm	A4	BICOM	SHENZHEN BAIKANG OPTICAL CO.;LTD
A/0	2010.04.20	NEW	—	—	3~6	6~10	CHECK				
					>0~3	3~6	APPROVE				

深圳百康光电有限公司
 SHENZHEN BAIKANG OPTICAL CO.;LTD

BK-LED-246B