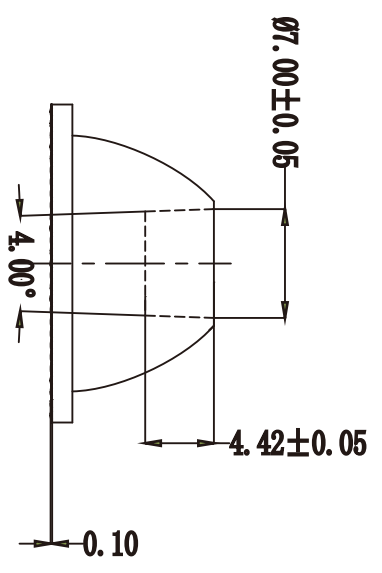
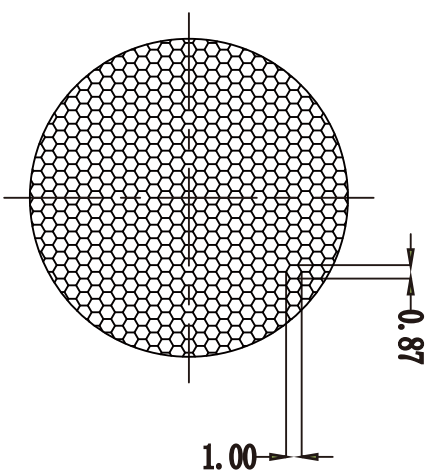
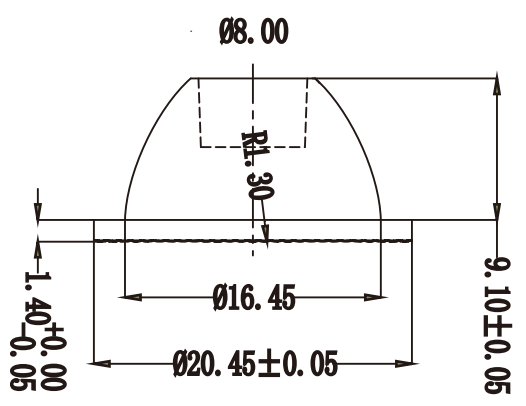
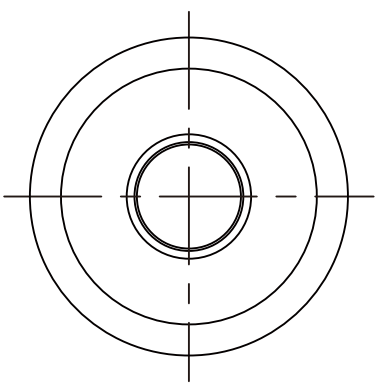


1 2 3 4 5 6 7 8 9 10



Technical Note:
 1. Products have no edges, shrinkage, watermarks and other defects
 2. Mirror polished standard: SPI-A1
 3. The tolerance of the unremarked sized is ± 0.10

TOLERANCE		顏色		SCALE	
DIM	Angle	± 1°	APPROVE	UNIT	mm
~ 10		±0.05			
10 ~ 20		±0.10			
20 ~ 50		±0.15			
50 ~ 100		±0.20			
顏色		PC1225Z		料號 PART NO.	
MATERIAL				品名 TITLE:	
DESIGN				圖號 DRAWING NO	
CHECK				BK-LED-944	
REVIEW					
APPROVE					
TOLERANCE					
APPROVE					
CHANGE					
APPROVE					
MODIFICATION DESCRIPTION		new			
DATE		2010/07/27			
REV		A/0			
變更		變更			
記事					


深圳百康光电有限公司
 SHENZHEN BAIKANG OPTICAL CO.,LTD